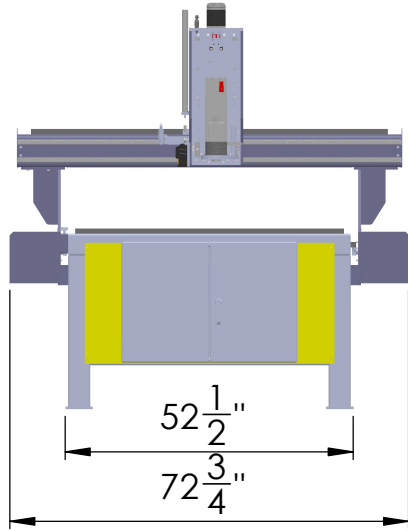
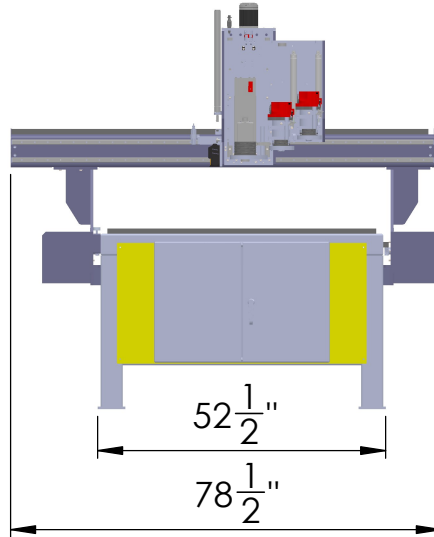


STINGER 4 x 8

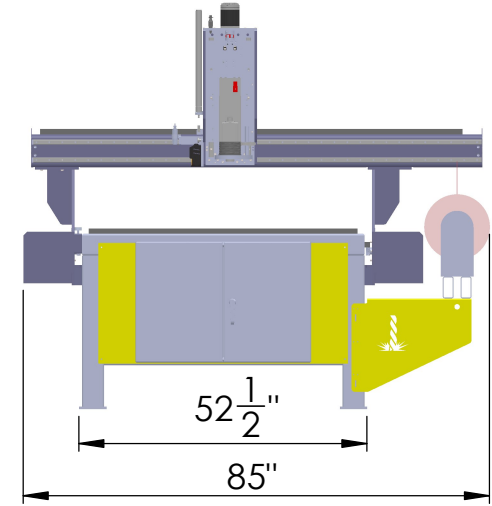
STANDARD MACHINE



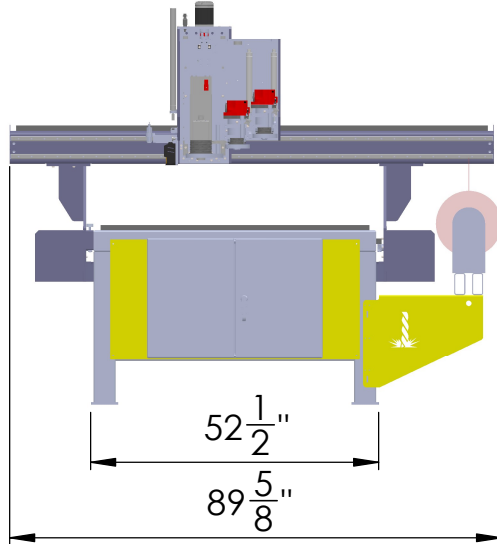
X3 MACHINE



RECOIL MACHINE



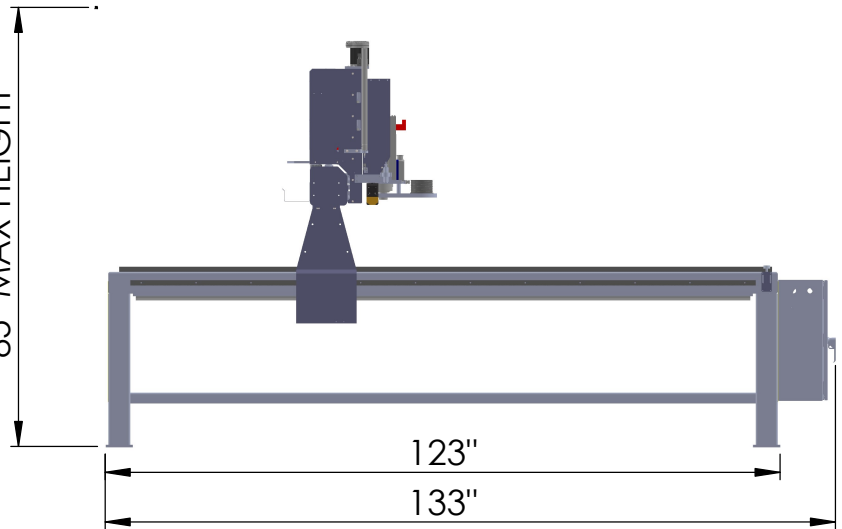
X3-RECOIL MACHINE



X3 Options

- TANGENTIAL KNIFE
- LASER ENGRAVER
- CUTVISION
- 2.5HP ROUTERS

85" MAX HEIGHT



SKU NUMBER:

CAMaster

PART NAME:
Stinger Assembly

REV:

CONFIGURATION:
DWG 48 Standard

SCALE: 1:50

SHEET 3 OF 3