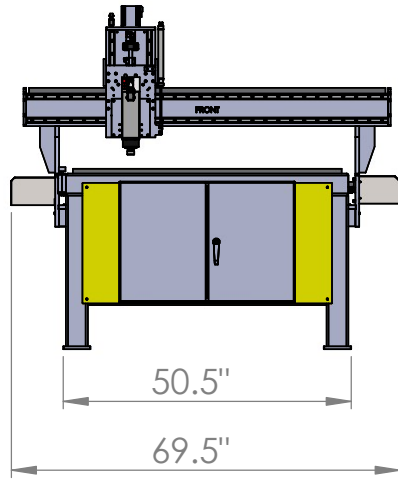
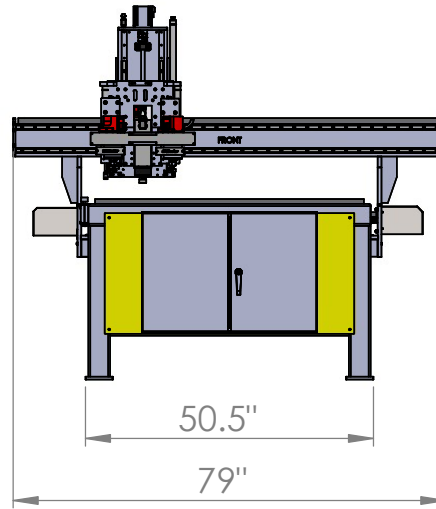


# STINGER 4 x 4

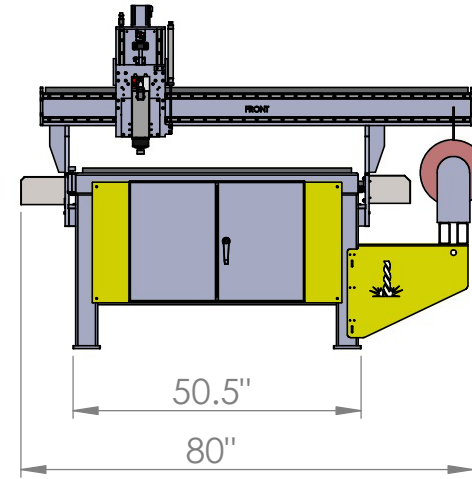
## STANDARD MACHINE



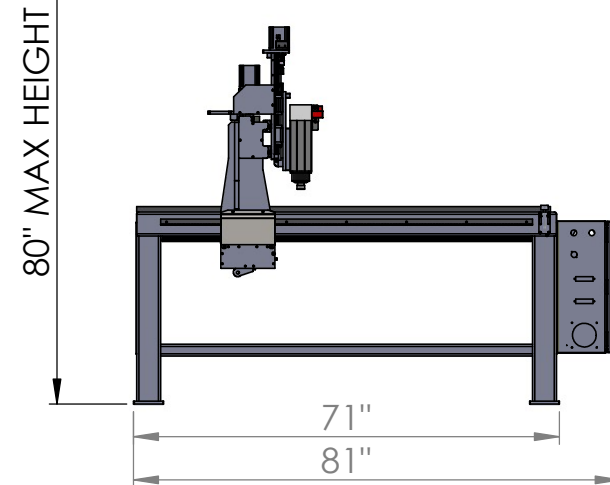
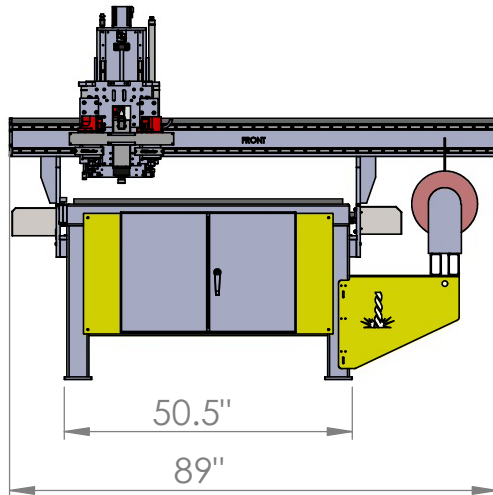
## X3 MACHINE



## RECOIL MACHINE



## X3 + RECOIL MACHINE



**NOTE:** X3 + Laser Engraver adds 11" to the width of the machine.

## CAMaster

PART:  
Stinger 4 x 4 (SR-44)

CONFIGURATION: Stinger 44 Table

DRAWING: Stinger 4x4 Machine Layout