

4

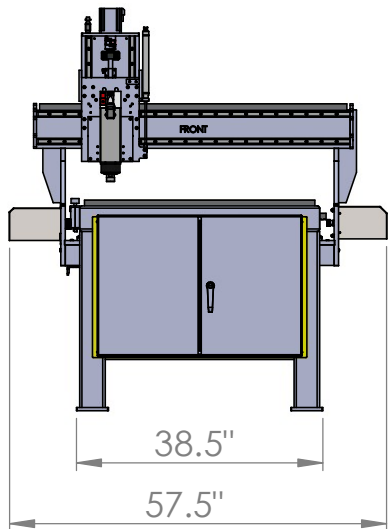
3

2

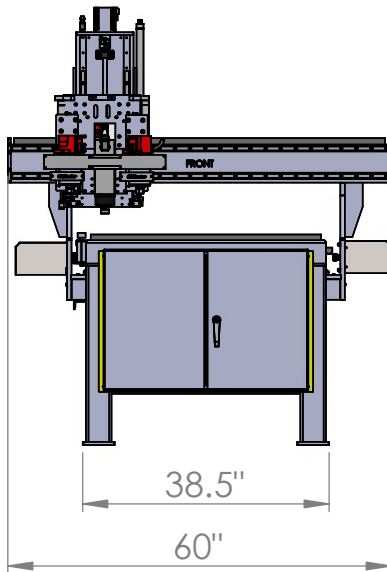
1

STINGER 3 x 4

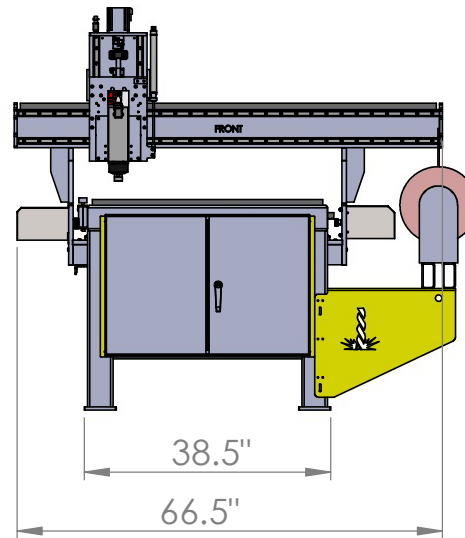
STANDARD MACHINE



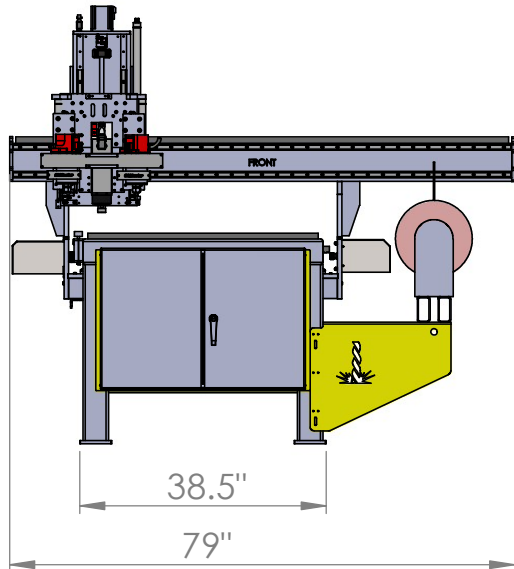
X3 MACHINE



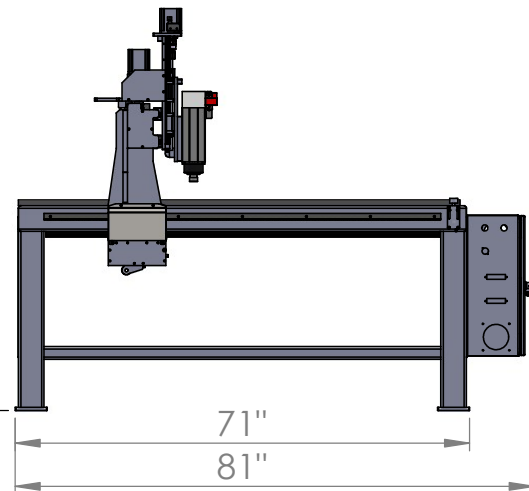
RECOIL MACHINE



X3 + RECOIL MACHINE



80" MAX HEIGHT



NOTE: X3 + Laser Engraver adds 11" to the width of the machine.

CAMaster

PART:
Stinger 3 x 4 (SR-34)

CONFIGURATION: Stinger 34 Table

DRAWING: Stinger 3x4 Machine Layout

SCALE: 1:30

SHEET 1 OF 1

4

3

2

1

D

D

C

C

B

B

A

A