

SIGNPRO 5x10

D

D

C

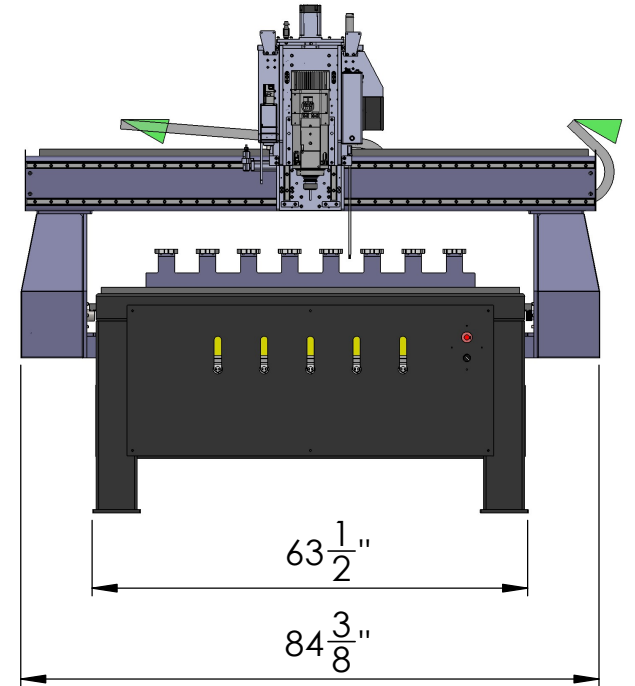
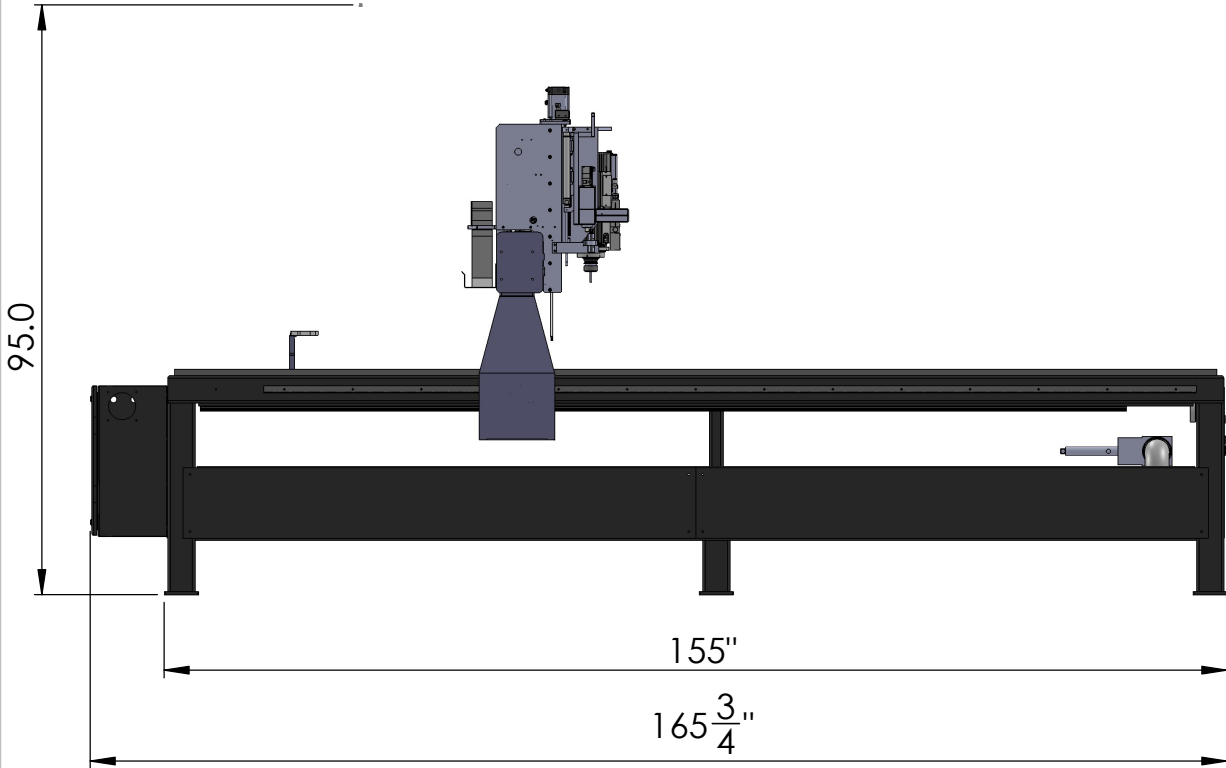
C

B

B

A

A



SKU NUMBER:

CAMaster

PART NAME:

SignPro

REV:

1/18/2022

CONFIGURATION:

DWG 510 Auxiliary Machine

SCALE: 1:28

SHEET 3 OF 3

4

3

2

1

4

3

2

1