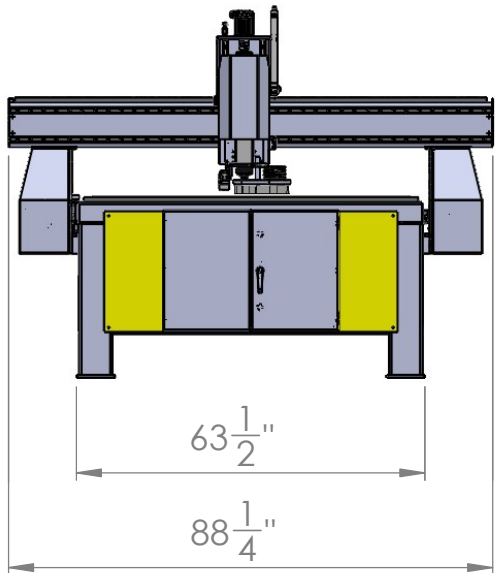
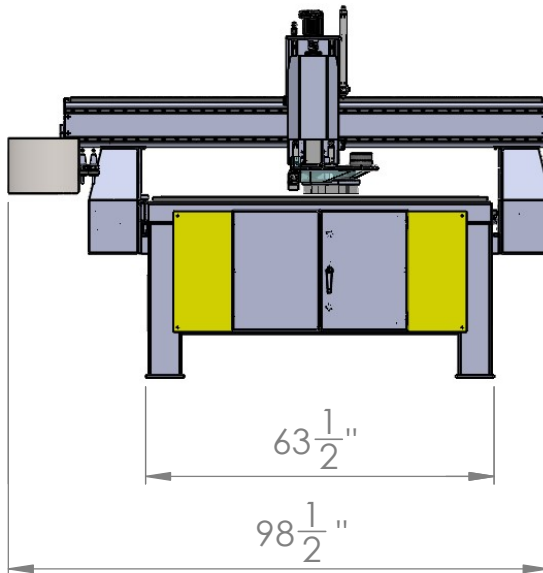


PANTHER 5 x 10

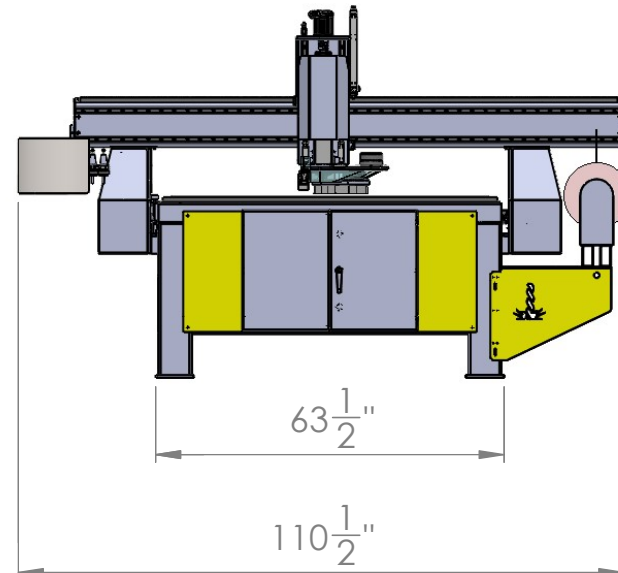
STANDARD MACHINE



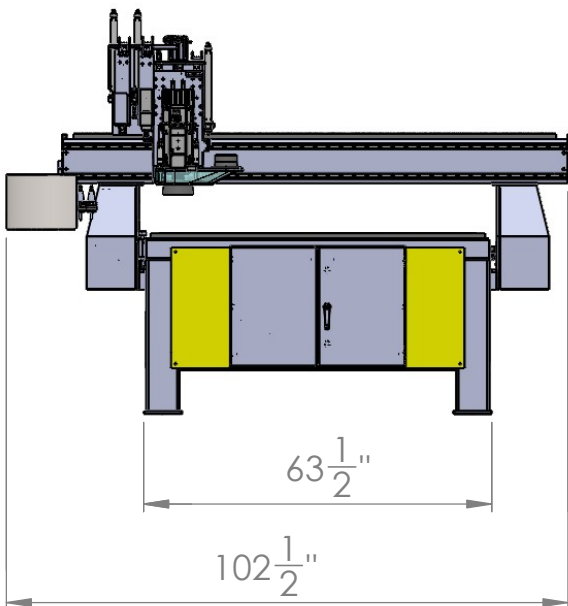
ATC MACHINE



RECOIL MACHINE

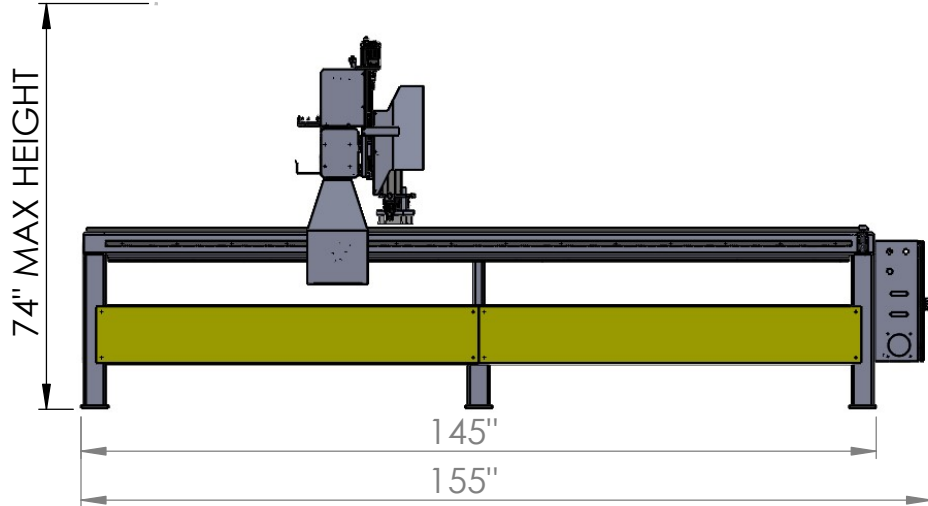


ATC + T2T3 MACHINE



T2 T3 OPTIONS

- TANGENTIAL KNIFE
- LASER ENGRAVER
- VISION REGISTRATION



CAMaster

PART:
Panther 5 x 10 (PT-510)
CONFIGURATION: DWG Standard 510
DRAWING: Panther 5x10 Machine Layout