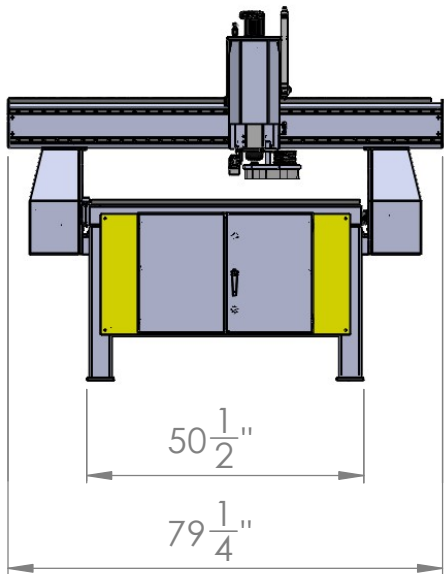
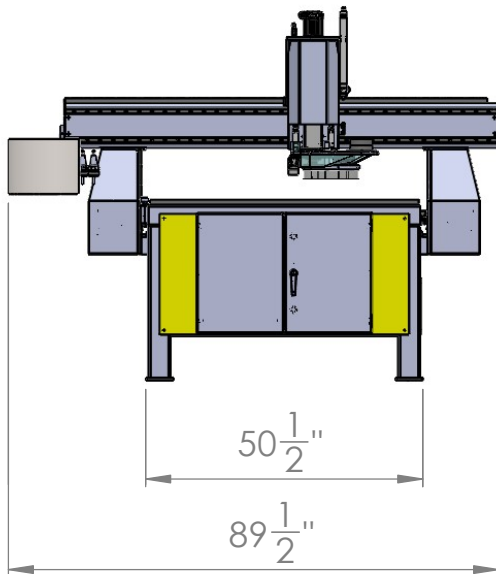


PANTHER 4 x 4

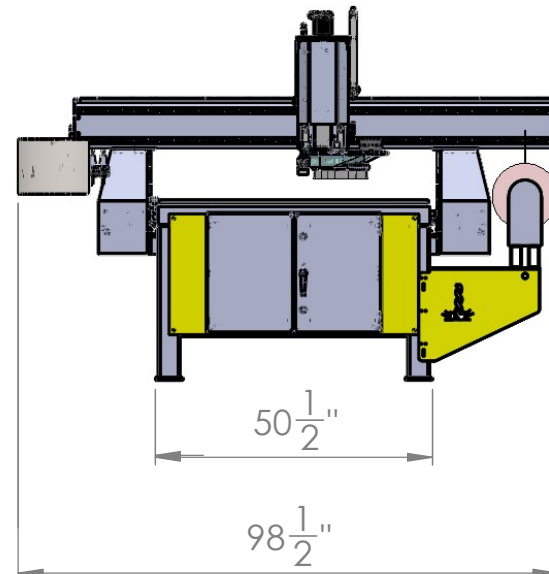
STANDARD MACHINE



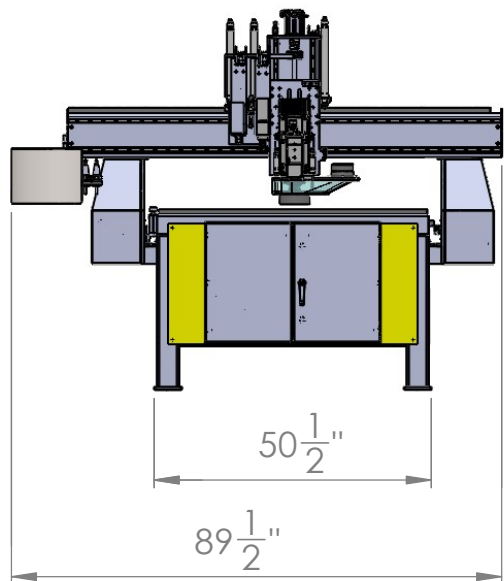
ATC MACHINE



RECOIL MACHINE



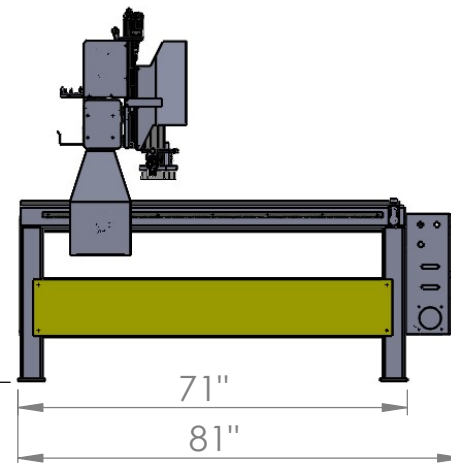
ATC + T2T3 MACHINE



T2 T3 OPTIONS

- TANGENTIAL KNIFE
- LASER ENGRAVER
- VISION REGISTRATION

74" MAX HEIGHT



CAMaster

PART:
Panther 4 x 4 (PT-404)

CONFIGURATION: DWG Standard 44

DRAWING: Panther 4x4 Machine Layout

SCALE: 1:50

SHEET 1 OF 1