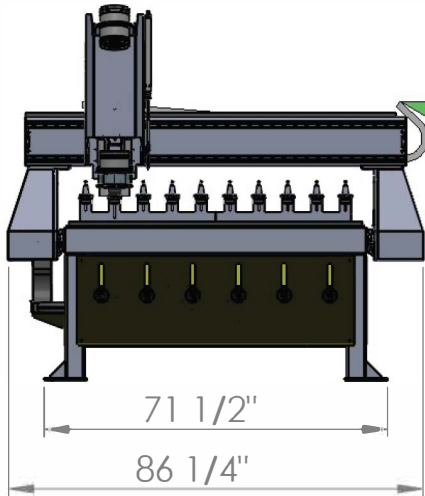
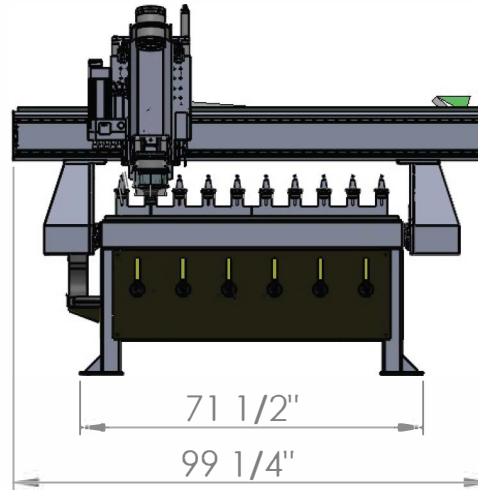


COBRA ELITE 5 X 10

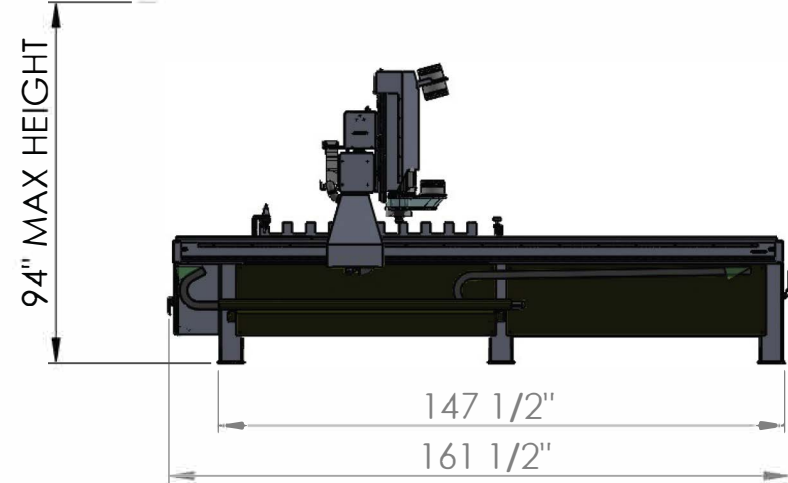
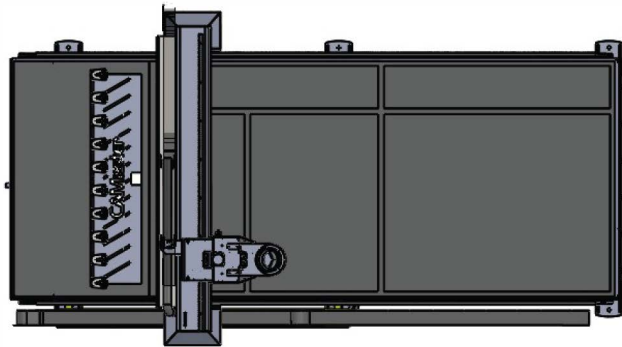
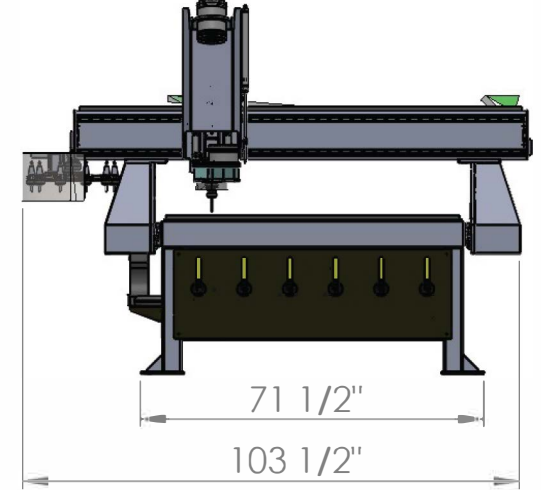
STANDARD MACHINE



ATC T2/T3 MACHINE



ATC CAROUSEL MACHINE



T2/ T3 OPTIONS

- DRILLBANK
- TANGENTIAL KNIFE
- VISION REGISTRATION

CAMaster

PART:
CE

CONFIGURATION: Linear ATC 510

DRAWING: Cobra 5x10 Machine Layout