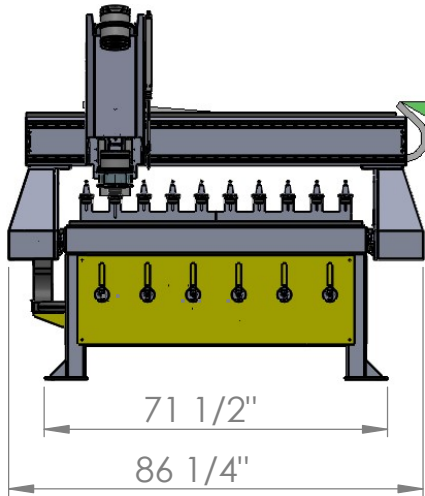
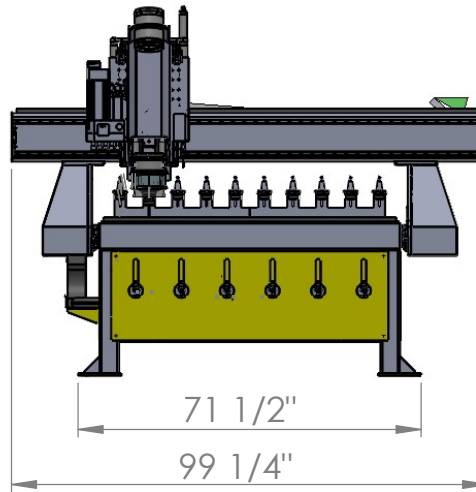


# COBRA 5 X 10

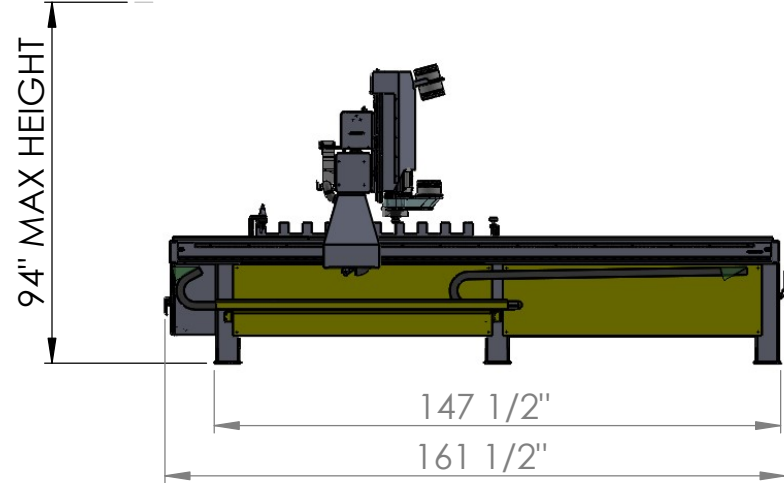
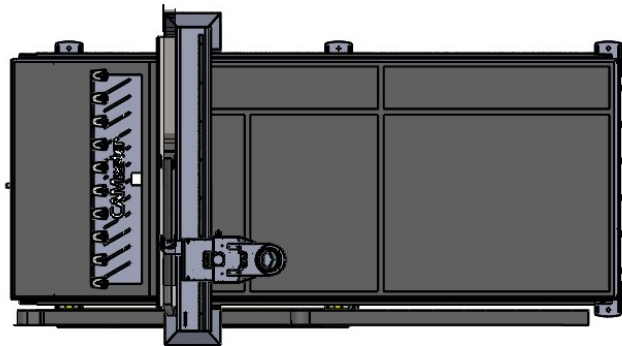
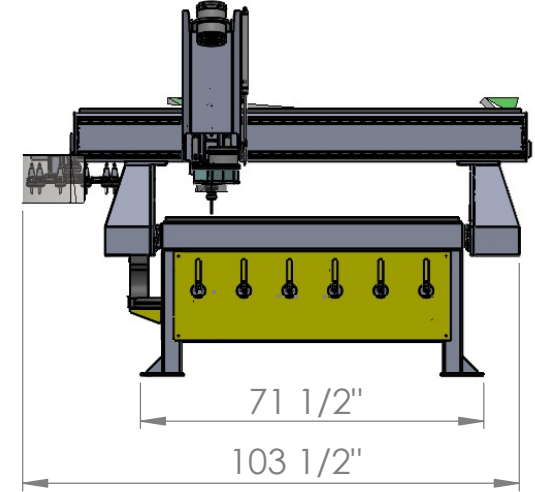
**STANDARD MACHINE**



**ATC T2/T3 MACHINE**



**ATC CAROUSEL MACHINE**



**T2/ T3 OPTIONS**

- DRILLBANK
- TANGENTIAL KNIFE
- VISION REGISTRATION

**CAMaster**

PART:  
Cobra 5 x 10 (CR-510)  
CONFIGURATION: Linear ATC 510  
DRAWING: Cobra 5x10 Machine Layout