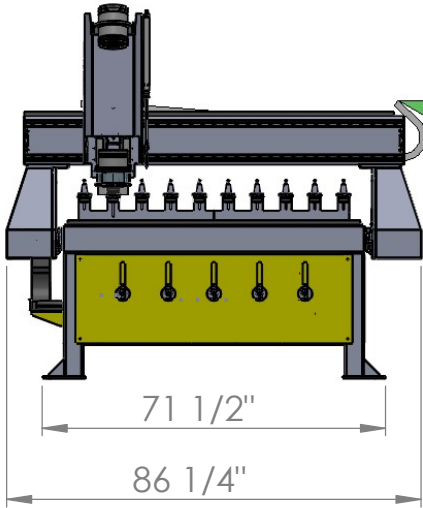
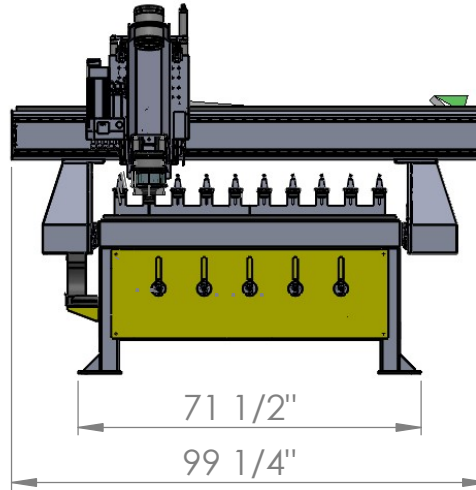


COBRA 4 X 8

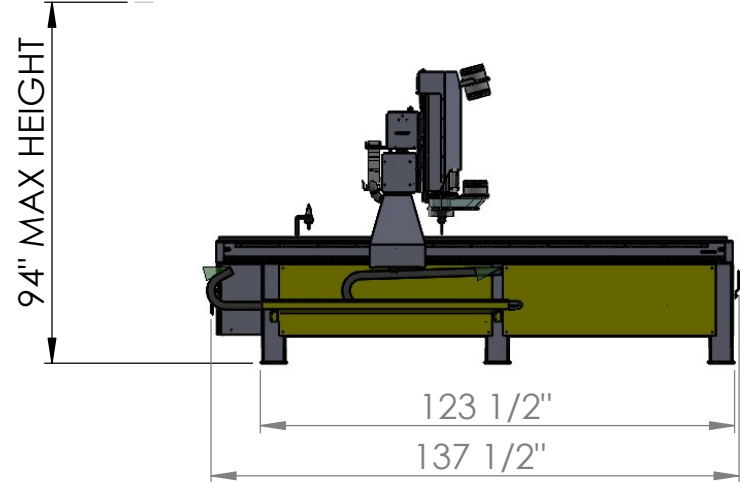
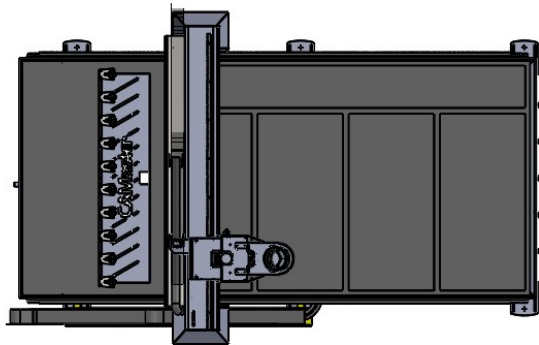
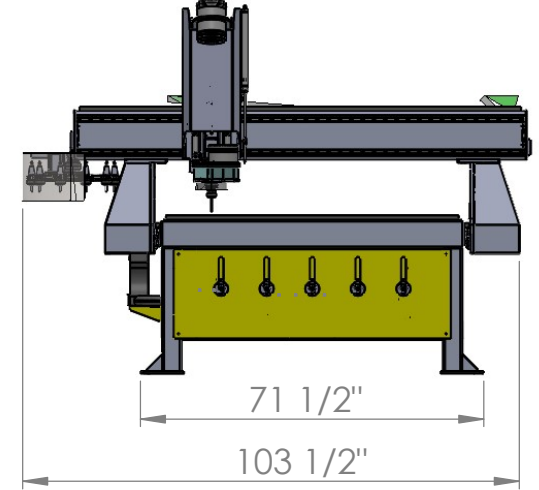
STANDARD MACHINE



ATC T2/T3 MACHINE



ATC CAROUSEL MACHINE



T2/ T3 OPTIONS

- DRILLBANK
- TANGENTIAL KNIFE
- VISION REGISTRATION

CAMaster

PART:
Cobra 4 x 8 (CR-408)
CONFIGURATION: Linear ATC 408
DRAWING: Cobra 4x8 Machine Layout