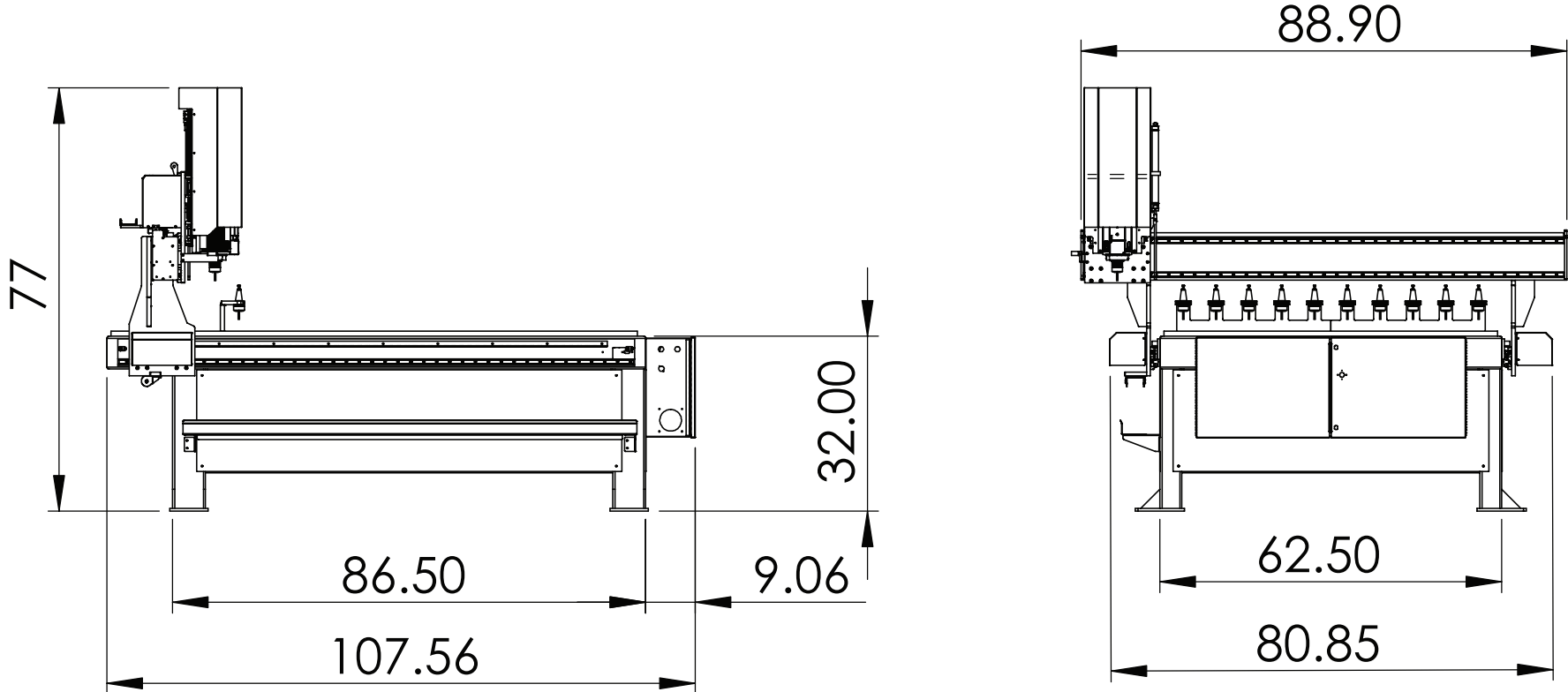


# Cobra CR-505 Dimensions



*CAMaster*